

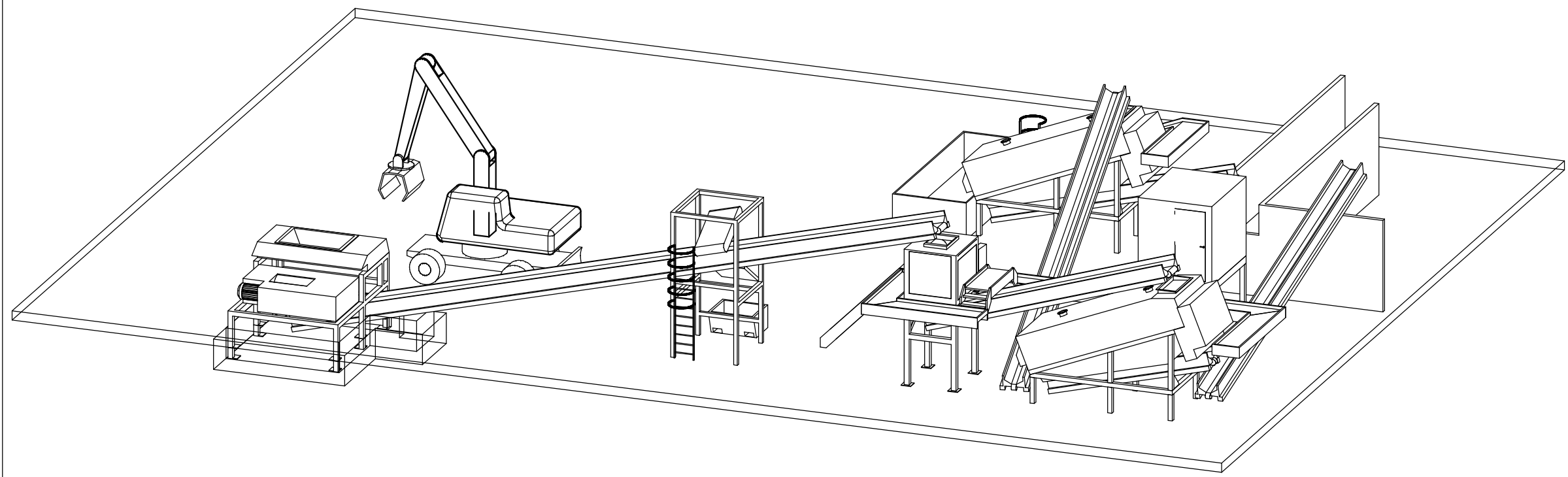
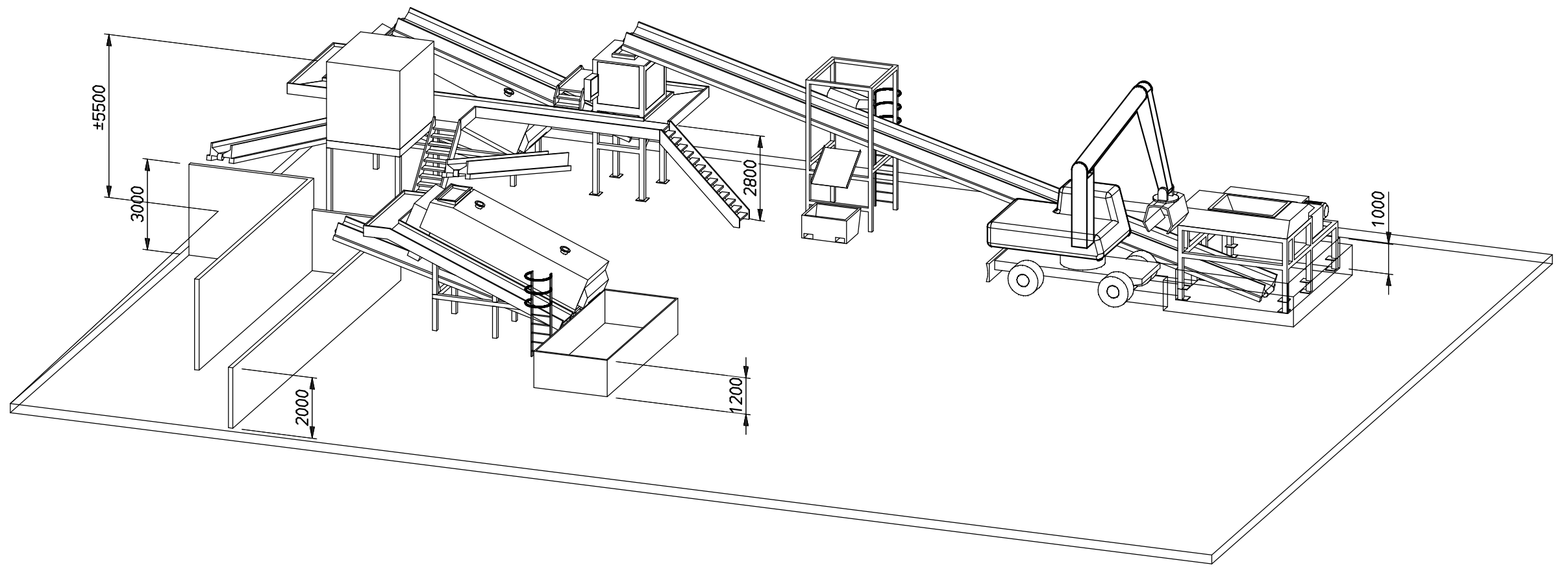
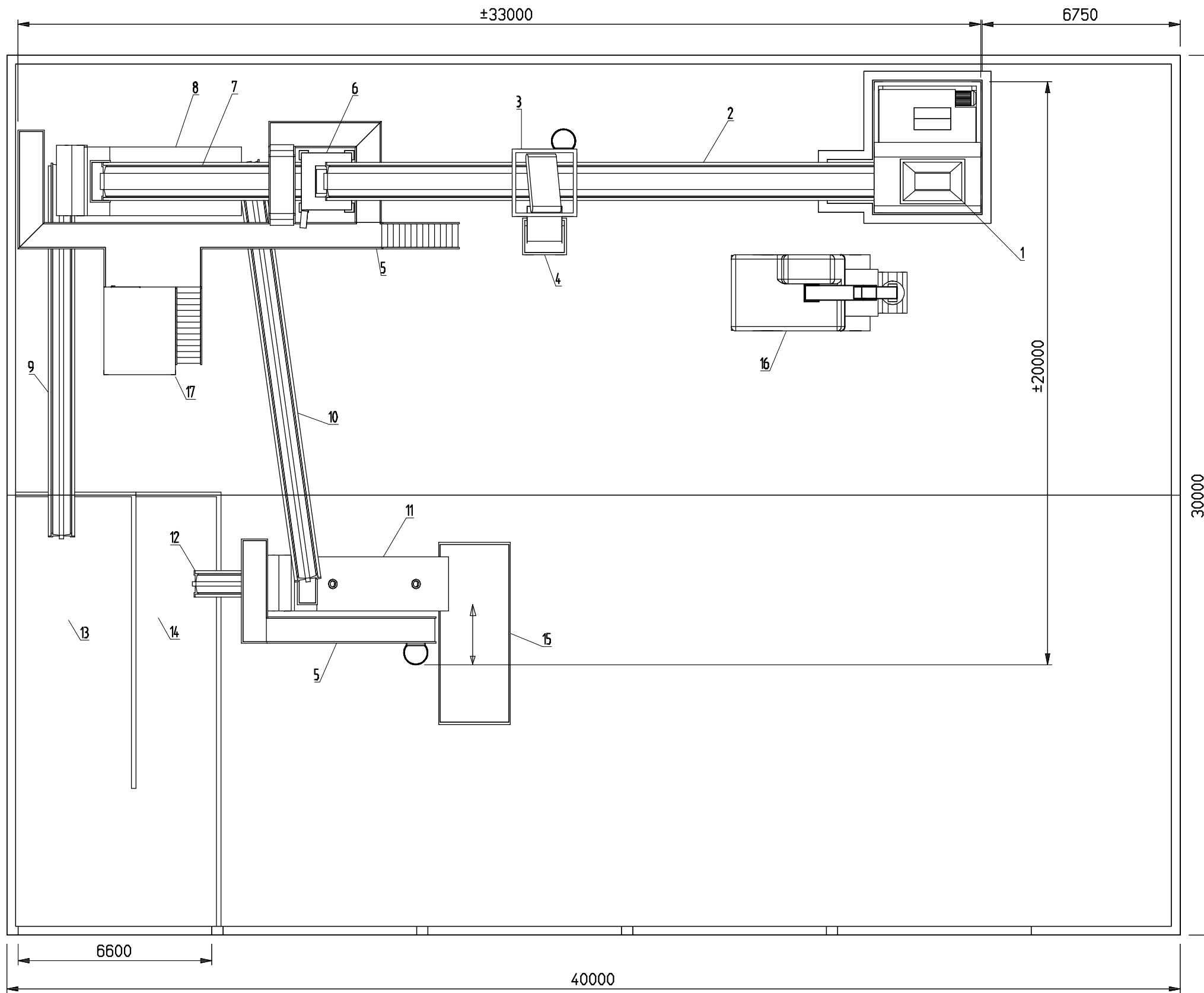


Material :				Thickn.:	mm
Descript.:	Layout 3D solid				
Draw.nr. :	EGR-008-V3	Size :	x mm		
Sheet :	1	Rev Date	Description		
Date :	24-10-2011				
Scale :	1:150				
Amer. Proj.:	 	A3	Drawn		
			MH		



Material :	Thickn.:			mm
Descript.:	Layout 3D			
Draw.nr. :	EGRS-008-V3	Size :	x mm	
Sheet :	2	Rev Date	Description	
Date :	24-10-2011			
Scale :	1:150			
Amer. Proj.:		A3	Drawn	
			MH	

Dimensions are approximate!



17	Control cabin 10" container	1
16	Excavator	1
15	Paper drop point	1
14	Drop point for 6-15mm material	2
13	Drop point for 0-5mm material	1
12	Conveyor belt W600 L±8.5 mtr.	1
11	Single screen	1
10	Conveyor belt W600 L±15 mtr.	1
9	Conveyor belt W600 L±13 mtr.	1
8	Single screen + Conveyor belt W600 L±5.5 mtr.	1
7	Conveyor belt W1000 L±8.5 mtr.	1
6	Secondary mill	1
5	Walkway, drawn without railings ETC.	1
4	Fe waste container	1
3	Magnet with cage ladder	1
2	Conveyor belt W1000 L±22 mtr.	1
1	Feedhopper, infeedheight ±2 mtr.	1
Pos.	Description	Numb.



Material :				Thickn.:	mm
Descript.:	Layout top view				
Draw.nr. :	EGR-008-V2	Size :	x mm		
Sheet :	3	Rev	Date	Description	
Date :	24-10-2011				
Scale :	1:150				
Amer. Proj.:		A3	Drawn	MH	